

HEIM Unibal®

SPHERICAL BEARINGS

ROD ENDS

uniflon



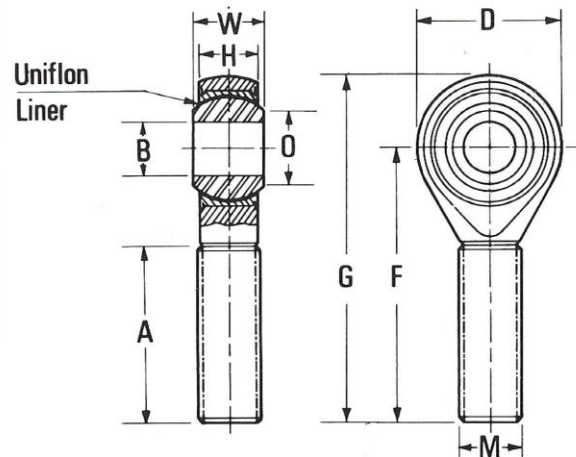
SPECIFICATION

HOUSING STAINLESS STEEL TO SPECIFICATION EN57 OR S80. FORGINGS IN STAINLESS STEEL TO SPECIFICATION FV520B.

BALL STAINLESS STEEL. THROUGH HARDENED TO ROCKWELL 'C' 50/54.

LINER FILLED P.T.F.E.

ALL DIMENSIONS GIVEN IN INCHES.



RMVV series male thread

BEARING NUMBER	B	W	H	O	D	F	G	A	M	Ball Diameter	Maximum Static Radial Load in Pounds Approx	Weight in Pounds Approx.
	Bore	Ball Width	Housing Width	Ball Flat Diameter	Head Diameter	Centre Length	Overall Length	Thread Length	Medium Fit			
	+·0000 -·0005	+·000 -·005	+·005 -·005		+·010 -·010	+·010 -·010	+·010 -·010	+ 1/16 - 1/32				
RMVV 4 RMLVV 4	.2500	.375	.281	.355	.750	1.562	1.937	1.000	5/16 BSF	3/8	2,460	.046
RMVV 5 RMLVV 5	.3125	.437	.344	.447	.875	1.875	2.312	1.250	3/8 BSF	5/8	4,080	.070
RMVV 6 RMLVV 6	.3750	.500	.406	.517	1.000	1.938	2.438	1.250	7/16 BSF	3/2	5,480	.120
RMVV 7 RMLVV 7	.4375	.562	.437	.586	1.125	2.125	2.688	1.375	1/2 BSF	13/16	6,740	.155
RMVV 8 RMLVV 8	.5000	.625	.500	.698	1.312	2.438	3.094	1.500	5/8 BSF	15/16	8,920	.234
FORGINGS	+·0000 -·0005	+·000 -·005	+·005 -·005		+·030 -·010	+·030 -·010	+·030 -·010	+ 1/16 - 1/32				
RMFVV 10 RMFLVV 10	.6250	.750	.562	.832	1.500	2.625	3.375	1.625	3/4 BSF	1 1/8	12,080	.388
RMFVV 12 RMFLVV 12	.7500	.875	.687	.978	1.750	2.875	3.750	1.750	7/8 BSF	1 5/16	17,180	.612

"L" included in the rod end reference number denotes left hand thread.

For further information refer to Technical index.